

INSTRUCTIONS

FOR THE

Double Concertina,

BY

JOSEPH WARREN.

Ent. Str. Hall.

Price 7/6

LONDON,

Messrs Wheatstone & Co.

PATENTEES and MANUFACTURERS of the CONCERTINAS,

20, Conduit Str. Regent Str.

INSTRUCTIONS

FOR THE

NEW PATENT DOUBLE CONCERTINA.

DESCRIPTION OF THE INSTRUMENT.

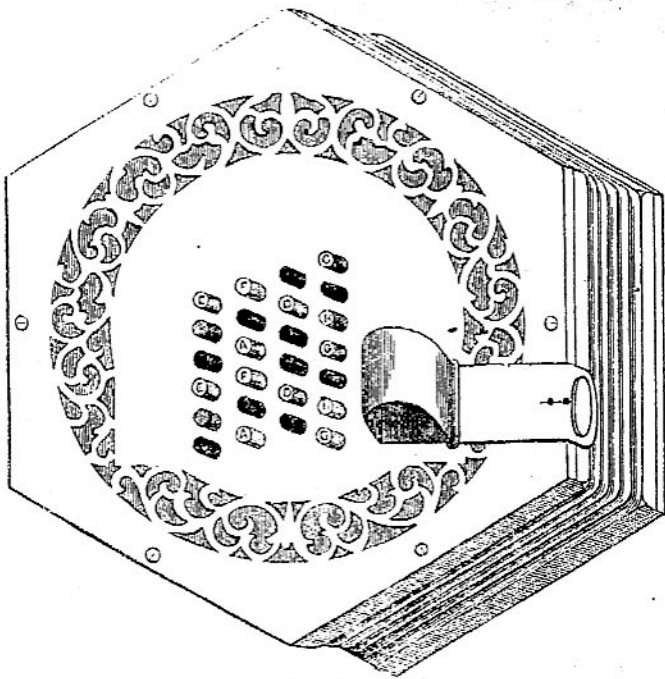


Fig. 1.

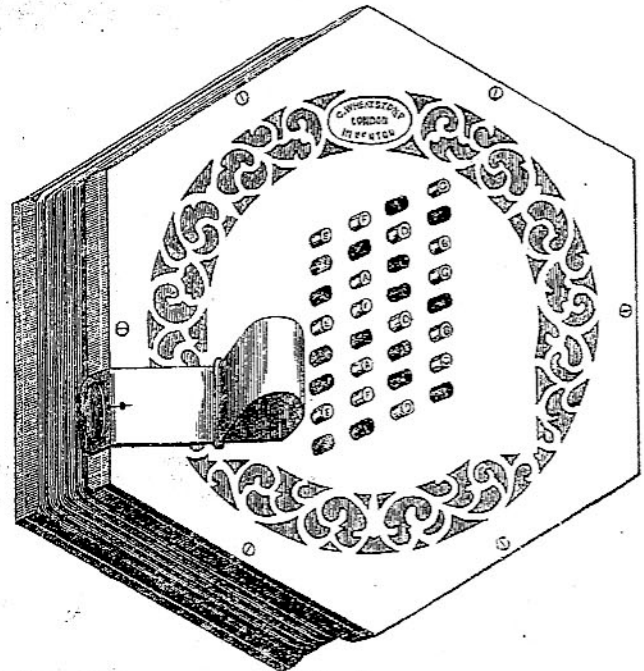


Fig. 2.

THIS instrument consists of a bellows with two faces or ends, which are represented above by the two wood-cuts; Fig. 1 being the left hand side, and Fig. 2 that of the right, with the stops of the lower notes nearest the performer. The finger-stops are arranged in four parallel rows, each stop being a semitone from the one preceding or following; the white stops being those restricted to the natural scale, whilst the black are appropriated to the flat and sharp notes; the C notes being indicated by their red colour. The instrument represented above is less than one half its usual size; the left cut (Fig. 1) has a compass of two octaves, commencing at G on the first line on the bass clef, whilst the right (Fig. 2) extends to two octaves and a half, commencing from C on the first ledger line below the treble clef. Some instruments, however, are made with a greater and others with a more limited compass, to suit the taste and abilities of the performer. The instrument referred to is called the Double-action Double Concertina, because two springs or tongues are employed for each note, so that on touching a stop the same sound may be produced, whether the bellows be drawn out or pressed together.

CAPABILITIES OF THE INSTRUMENT.

It possesses qualities which have never been combined in a portable musical instrument; in fact, it is two Concertinas in one; the left-hand end being used as an accompaniment, or bass, to the right-hand or treble end; each end having a perfect scale of itself, so that a melody can be played on either, without any

assistance from the other. The scales have a regularity not possessed by any other musical instrument; for they are not only capable of being played an octave higher or lower with the same fingerings, as octaves to each other on the pianoforte are played, but the same great advantage is also extended to the major thirds above or below. It is, in fact, a self-transposing instrument to a considerable extent; four different fingerings being only required to play in all the keys. These fingerings in the following lessons are termed the first, second, third, and fourth, according to the particular finger of the right hand, which commences on the key-note of the scale.

The music for the Double Concertina is written, like Pianoforte music, on two staves, treble and bass; so that music for one of these instruments may be played on the other, provided it be within the compass.

A melody played on this new instrument is brought out to greater advantage than on the treble-harmony Concertina*, in consequence of the accompaniment being on a separate end; it being more distinct on that account, and the extent of the scale is better suited for more distributed harmony. The scales, shakes, turns, &c. can be played with a precision and regularity which cannot possibly be attained when the fingers of the two hands are alternately used.

HOLDING THE INSTRUMENT.

That part with the tablet, where the inventor's name is inserted, distinguishes the right hand and upper end (which is uppermost when in the box), and that side with the two white metal buttons, which secure the ends of the thumb-straps, is to be uppermost when playing; the corner with the tablet being furthest from the performer. The instrument is held by placing the thumbs in the loops, leaving the first, second, third, and fourth fingers ready to act on their respective rows of touches or finger-stops; the first finger should be exactly over, and move in the direction of the upper row of stops; whilst the same rule must be observed with the second, third, and fourth fingers on each end of the instrument. The side of the left-hand end of the Concertina should rest on the knee. It is to be kept from moving by the thumb being pressed downwards, whilst the right hand is used for the double purpose of acting on the touches and moving the bellows. The knee should be somewhat raised, and care should be taken that the folds of the bellows do not rub against the dress. The upper side of the instrument must be kept as nearly as possible in a horizontal position: this should be particularly attended to; for if the Double Concertina be inclined from this position, the direction of the fingers will not correspond with that of the stops. The thumb-loops are made to adjust, and can be altered to suit the performer's thumbs by unscrewing and reinserting the white metal buttons, after sliding the strap through the link to the size required.

MANAGEMENT OF THE BELLOWS.

The bellows should never be drawn out or pressed together, unless a stop is at the same time opened; because by this the instrument would be strained without producing any sound; also no sound will be produced if a stop be opened and the bellows be not at the same time moved. It will be seen by these remarks, that opening a stop enables the performer to produce the required sound only on moving the bellows. The bellows is moved backward and forwards by the action of the right arm, whilst the fingers of each hand act on the stops. The bellows should not be alternately drawn out and pressed in for each successive note, as is required to be done in playing scales on the Accordion; this effect should be avoided as much as possible when learning the Concertina. The bellows should be drawn out to nearly the full extent, and then pressed nearly close together, observing to keep the two ends of the instrument parallel to each other. The bellows of the Double-action Concertina, whether open or closed, is always in a position to produce the required sound; hence there is no occasion for the large key, or valve, with which the accordion is encumbered. The piano, forte, crescendos, diminuendos, &c. are all regulated by the action of the bellows,

* On the usual or treble-harmony Concertina, the notes are alternately placed on each end of the instrument, so that the fingers of each hand must be used alternately in playing the scales, turns, &c. This disposition of the finger-stops, although it facilitates the playing of the thirds, fifths, and some chords, is not so well suited for scales and other passages as when a hand is used to play the same on each end of the instrument. To perform on the usual Concertina, each hand must be equally practised; in fact, the left hand should be equal to the execution of the right, which is seldom the case; whereas on the Double Instrument equal facility of the hands is not so much required.

accordingly as it is moved gently or strongly, and is effected by gradually increasing or diminishing the movement of the hand. On first commencing the Double Concertina, the tones should be played very softly; this gives a sensibility to the hand, which will be lost if the performer begins by playing loud and forcing the instrument. The first practice will be to play long-sustained notes equally piano throughout, using no more pressure than is necessary to produce the sounds. When this is acquired, the tones may be increased and diminished; then the scales, or portions of them, may be played in the same manner. Although the tones of the instrument produce immediately an agreeable effect, they are capable of considerable improvement by practice, and are to be cultivated (to a certain extent) so as to produce some difference in the quality, according to the firmness and delicacy of handling the bellows by the performer. Particular care should be taken that the *bellows be not moved suddenly or with too much force*; for forcing the bellows would not only be detrimental to the vibrating tongues, but would also produce a harsh effect.

Before depositing the instrument in its case, the air remaining in the bellows must be expelled by sounding a full chord.

ARRANGEMENT OF THE TOUCHES OR FINGER-STOPS.

It will be seen, by referring to the plan at page 5, that, by placing the fingers over each row as marked, and by inclining those of the right hand upwards—thus, 1 2 3 4—the left thus, 4 3 2 1—and by successively moving the fingers of the hand on either end, the chromatic scale may be easily played. Omitting to use the fingers which are over the black stops, still keeping each over its proper row, will give the natural scale. The scale in any major key may be played by observing, that, from any note taken as a key-note, all the degrees of the scale are tones, excepting those between the third and fourth, and the seventh and eighth or octave, which are semitones. Commencing on any note, passing over a stop where a tone occurs, and pressing down the next stop when followed by a semitone, is the rule which must be observed to play a scale in any key. It will be seen that a stop preceding another is always its respective flat note, and that which follows is the sharp note of the one preceding. It must also be remembered, that all scales are to be played without any crossing of the fingers, and without taking them off the direction of their respective rows.

Any two stops inclining upwards, from left to right, as C[♯], are semitones; any two inclining downwards in the same direction, C_A, are minor thirds; as are also the first and fourth rows, C ° ° E_b any two, in the same row, immediately above or below each other, as $\begin{matrix} E & A \\ | & | \\ C & F \end{matrix}$, are major thirds; and that a combination of the two last form either a major common chord, thus $\begin{matrix} C & A \\ | & | \\ F & \end{matrix}$, or a minor common chord,

thus $\begin{matrix} E \\ | \\ C & A \end{matrix}$

FINGERING.

The manner of fingering the chromatic as well as the natural scales is sufficiently explained in the preceding article, and further exemplified by the music scales at pages 6 and 7. It will perhaps be as well to add an octave of each in a different form, in order more fully to explain the different positions.

EXAMPLES.

The Chromatic Scale.

| Left Hand. | | | | Right Hand. | | | |
|------------|---|---|---|-------------|---|---|---|
| 4 | . | 2 | 1 | 1 | . | 3 | 4 |
| 4 | 3 | 2 | 1 | 1 | 2 | 3 | 4 |
| 4 | 3 | 2 | 1 | 1 | 2 | 3 | 4 |
| 4 | 3 | 2 | 1 | 1 | 2 | 3 | 4 |

THE FOUR FINGERINGS.

First, for the Keys of C, E, G# or Ab.

| Left Hand. | | | | Right Hand. | | | |
|------------|---|---|---|-------------|---|---|---|
| 4 | . | . | 1 | 1 | . | . | 4 |
| . | 3 | . | 1 | . | 2 | . | 4 |
| 4 | 3 | . | . | 1 | 2 | . | 3 |
| 4 | . | 2 | . | 1 | . | 3 | . |

Second, for the Keys of F, A, C# or Db.

| Left Hand. | | | | Right Hand. | | | |
|------------|---|---|---|-------------|---|---|---|
| 4 | 3 | . | . | 1 | 2 | . | . |
| 4 | . | 2 | . | 1 | . | 3 | . |
| . | 3 | 2 | . | . | 2 | 3 | . |
| . | 3 | . | 1 | . | 2 | . | 4 |

Third, for the Keys of D, F# or Gb, and Bb.

| Left Hand. | | | | Right Hand. | | | |
|------------|---|---|---|-------------|---|---|---|
| . | 3 | 2 | . | . | 2 | 3 | . |
| . | 3 | . | 1 | . | 2 | . | 4 |
| . | . | 2 | 1 | . | . | 3 | 4 |
| 4 | . | 2 | . | 1 | . | 3 | . |

Fourth, for the Keys of G, B or Cb, D# or Eb.

| Left Hand. | | | | Right Hand. | | | |
|------------|---|---|---|-------------|---|---|---|
| . | . | 2 | 1 | . | . | 3 | 4 |
| 4 | . | 2 | . | 1 | . | 3 | . |
| 4 | . | . | 1 | 1 | . | . | 4 |
| . | 3 | . | 1 | . | 2 | . | 4 |

These four fingerings being all that is necessary for the major keys. As the octaves to these fingerings are exactly the same, they may all be played from the preceding figures.

When playing the Concertina, particular care must be taken that each finger be kept close over, and moved in the direction of its respective row of stops. Attention to this is absolutely necessary; for if the fingers be lifted too far off, and be not moved in their proper direction, the places of the rows of stops with reference to each other will be not so easy to find; whereas, if the finger-ends be kept close to the stops and be moved in their proper direction, the fingers which are used when pressing them down will serve as guides for pressing those that follow, and will be easily found by reason of the regularity the different intervals bear to each other. When major thirds are required to be slurred, a finger should be brought over or under the first stop pressed down, according as the third following is above or below. In playing a scale of thirds, the fingers are always at liberty to act on the succeeding notes, before they are taken off those previously touched: either one or two fingers may be used to press down the thirds together, with the exception of one of these in the octaves, which require the first and fourth finger to be used together. The scales of sixths, octaves, tenths, double octaves, &c. are played with the greatest facility by using both hands at each end of the instrument; but most of these can be played on one end of the Double Concertina.

All the common chords, with the exception of those of C, E, and Ab, are exactly the same, and can be taken with two fingers, one finger being only necessary to press down the major or minor third, as may be required; but when the notes are wanted to follow each other in quick succession, a finger for each stop should be employed: the notes with this fingering can either be played simultaneously, or with any degree of rapidity in succession.

In employing the fingering, it is not only necessary that the proper fingers be used for the particular stops, but that they be kept, as much as possible, immediately over, and ready to press down the stops of the notes which follow, while the preceding ones are in action. This preparation of the fingers not only facilitates the acquirement of the instrument, but enables the performer to slur the different notes smoothly together. In some passages, it is required that the finger be glided from one stop to the other; in others, a finger may be used to press down the adjoining stop, without taking it off the first one; and in order to prepare the fingering in some cases, it is necessary to change a finger on a particular stop, without allowing it to spring up.

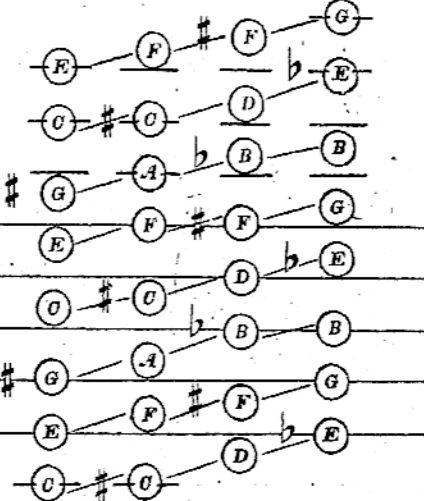
In playing the accompaniments with the left hand, the stops should be pressed down lightly, or staccato, with the fingers; and according as the melody is required to be prominent, the less should the notes be sustained in the accompaniment.

A PLAN OF THE STOPS OF THE DOUBLE CONCERTINA.

SHEWING AT THE SAME VIEW THEIR PLACES ON THE MUSIC STAVE AS WELL AS ON EACH END OF THE INSTRUMENT.

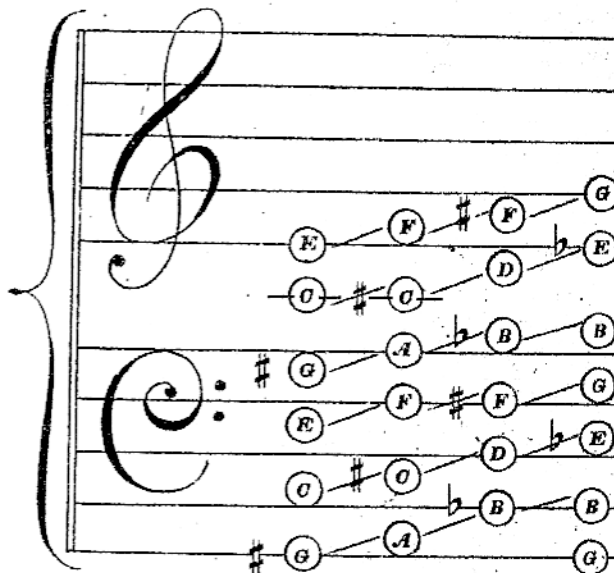
RIGHT HAND SIDE.

1st Fin: 2nd Fin: 3rd Fin: 4th Fin:



LEFT HAND SIDE.

4th Fin: 3rd Fin: 2nd Fin: 1st Fin:



SCALE OF NATURAL NOTES.

Right Hand Side.

Left Hand Side.

G A B C D E F G A B C D E F G

C D E F G A B C D E F G A B C D E F G

Musical notation showing the scale of natural notes on both the right and left hands. The right hand starts on G and the left hand starts on C. The notes are written in a single line with a brace on the left. The notes are G, A, B, C, D, E, F, G, A, B, C, D, E, F, G for both hands.

COMPLETE SCALE.

Right Hand Side.

Left Hand Side.

Musical notation showing the complete scale on both the right and left hands. The right hand starts on G and the left hand starts on C. The notes are written in a single line with a brace on the left. The notes are G, A, B, C, D, E, F, G, A, B, C, D, E, F, G for both hands. The notes are written in a single line with a brace on the left. The notes are G, A, B, C, D, E, F, G, A, B, C, D, E, F, G for both hands.

LONDON,

Mess^{rs} WHEATSTONE & Co Patentees & Manufacturers of the Concertinas, 20, Conduit St Regent St

CHROMATIC SCALE.

RIGHT HAND.

LEFT HAND.

SCALES IN THE MAJOR MODE.

Scale of C.

FIRST FINGERING.

ALSO FOR THE KEYS
OF E, & A ♯.

RIGHT HAND.

LEFT HAND.

Scale of F.

SECOND FINGERING.

ALSO FOR THE KEYS
OF A, & C ♯, OR D ♭.

Scale of D.

THIRD FINGERING.

ALSO FOR THE KEYS
OF F ♯, OR G ♭, & B ♭.

Scale of G.

FOURTH FINGERING.

ALSO FOR THE KEYS
B, OR C ♭.

SCALES IN THE MINOR MODE.

C. Minor. FIRST FINGERING.

RIGHT HAND.

LEFT HAND.

F. Minor. SECOND FINGERING.

D. Minor. THIRD FINGERING.

G. Minor. FOURTH FINGERING.

PRELUDE IN C. FIRST FINGERING.

RIGHT HAND.

LEFT HAND.

Musical score for 'PRELUDE IN F. SECOND FINGERING.' consisting of four systems of piano accompaniment. Each system has a treble and bass clef staff. The first system is in common time (C). The second system is in common time (C). The third system is in 3/4 time. The fourth system is in 3/4 time. The score includes numerous fingering numbers (1-4) and slurs.

PRELUDE IN F.
SECOND FINGERING.

Musical score for 'FRENCH AIR.' consisting of two systems of piano accompaniment. The first system is in 2/4 time. The second system is in 2/4 time. The score includes numerous fingering numbers (1-4) and slurs.

Moderato.

FRENCH AIR.

Continuation of the 'FRENCH AIR.' score, consisting of two systems of piano accompaniment. The first system is in 2/4 time. The second system is in 2/4 time. The score includes numerous fingering numbers (1-4) and slurs. The piece concludes with the marking 'D.C.' (Da Capo).

FRENCH AIR.

Andante.

1 2 3 1 3 1 3 2 4 2 4 2 3 1
2 3 1 3 2 3 1 3 4 3 4 3 1 2

1 2 3 1 3 1 3 2 4 2 3 4 1 2
2 3 1 3 2 3 1 3 4 3 1 4 2 3

3 4 2 4 2 3 1 1 2 3 1 3 1 3 2 4 2
1 4 3 4 3 1 3 2 3 1 3 2 3 1 3 4 3

PRELUDE IN D.

THIRD FINGERING.

3 1 3 4 2 4 3 1 3 4 2 4 2 4 2 4 2 4 2 4
2 4 2 1 3 1 2 4 2 1 4 2 4 2

SICILIAN MARINER'S HYMN.

Andante.

2 4 2 4 3 4 2 4 2 4 3 2 4 2 3 2 2 4 2 4
2 3 1 3 2 4 2 4 2 3 1 3 2 4 3 2 3 2 1 3 4 2 1 3 4

2 1 3 1 3 4 3 4 3 4 2 2 3 2 4 2 3 4 2 4 3 3 1 3 3
2 3 2 3 2 4 3 2 3 2 4 2 4 2 1 3 1 2 1 2 3 1 3 3 2

PRELUDE IN G.

FOURTH FINGERING.

Musical notation for the first system of 'PRELUDE IN G. FOURTH FINGERING.' The system consists of two staves. The upper staff is in treble clef with a common time signature (C). The lower staff is in bass clef with a common time signature (C). Fingerings are indicated by numbers 1-4 below the notes.

ROUSSEAU'S DREAM.

Musical notation for the first system of 'ROUSSEAU'S DREAM.' The system consists of two staves. The upper staff is in treble clef with a common time signature (C). The lower staff is in bass clef with a common time signature (C). The tempo is marked 'Andante.' and the dynamic is 'p'. Fingerings are indicated by numbers 1-4 below the notes.

Musical notation for the second system of 'ROUSSEAU'S DREAM.' The system consists of two staves. The upper staff is in treble clef with a common time signature (C). The lower staff is in bass clef with a common time signature (C). Fingerings are indicated by numbers 1-4 below the notes. The system ends with 'D.C.' (Da Capo).

GREEK AIR.

Musical notation for the first system of 'GREEK AIR.' The system consists of two staves. The upper staff is in treble clef with a 2/4 time signature. The lower staff is in bass clef with a 2/4 time signature. The tempo is marked 'Andante.' Fingerings are indicated by numbers 1-4 below the notes.

Musical notation for the second system of 'GREEK AIR.' The system consists of two staves. The upper staff is in treble clef with a 2/4 time signature. The lower staff is in bass clef with a 2/4 time signature. The dynamic is marked 'p'. Fingerings are indicated by numbers 1-4 below the notes.

Musical notation for the third system of 'GREEK AIR.' The system consists of two staves. The upper staff is in treble clef with a 2/4 time signature. The lower staff is in bass clef with a 2/4 time signature. Fingerings are indicated by numbers 1-4 below the notes.

HINDOSTINEE AIR.

Andantino. *p*

The first system of the Hindostinee Air consists of two staves. The upper staff is in treble clef and the lower in bass clef, both with a 6/8 time signature. The music is marked *Andantino* and *p* (piano). It features a melodic line in the treble and a more rhythmic accompaniment in the bass, with numerous fingerings indicated by numbers 1-4 above or below notes.

The second system continues the Hindostinee Air with two staves in treble and bass clefs, 6/8 time. The melodic line in the treble staff shows a continuation of the previous system's motifs, while the bass staff provides a steady accompaniment with complex fingerings.

The third system of the Hindostinee Air features two staves in treble and bass clefs, 6/8 time. The music is marked *f* (forte). The melodic line in the treble staff becomes more active, with a dynamic increase compared to the previous systems.

BENEDETTA SIA LA MADRE.

ITALIAN AIR.

Andante. *p*

The first system of the Italian Air consists of two staves in treble and bass clefs, with a 3/4 time signature. The music is marked *Andante* and *p* (piano). The treble staff has a melodic line with some grace notes, while the bass staff has a rhythmic accompaniment.

The second system of the Italian Air continues with two staves in treble and bass clefs, 3/4 time. The melodic line in the treble staff shows a continuation of the previous system's motifs, with a steady accompaniment in the bass.

The third system of the Italian Air features two staves in treble and bass clefs, 3/4 time. The melodic line in the treble staff concludes the piece with a final cadence, while the bass staff provides a steady accompaniment.

THE LAST ROSE OF SUMMER.

Andante. *p*

The first system of music for 'The Last Rose of Summer' consists of two staves. The top staff is in treble clef and the bottom in bass clef. The time signature is 3/4. The piece begins with a piano (*p*) dynamic. Fingerings are indicated by numbers 1-4 above or below notes. The first staff contains measures 1-4, and the second staff contains measures 5-8. The music features a mix of eighth and sixteenth notes, with some triplets and slurs.

The second system of music continues the piece. It consists of two staves. The top staff is in treble clef and the bottom in bass clef. The time signature is 3/4. This system contains measures 9-16. The music continues with similar rhythmic patterns and fingerings as the first system.

Tempo. *p* *dim.*

The third system of music includes a tempo change to *Tempo.* and a dynamic marking of *p* (piano). It consists of two staves. The top staff is in treble clef and the bottom in bass clef. The time signature is 3/4. This system contains measures 17-24. The music features a mix of eighth and sixteenth notes, with some triplets and slurs. A *dim.* (diminuendo) marking is present in the second staff.

THE POST HORN WALTZ.

The first system of music for 'The Post Horn Waltz' consists of two staves. The top staff is in treble clef and the bottom in bass clef. The time signature is 3/8. The music begins with a piano (*p*) dynamic. Fingerings are indicated by numbers 1-4 above or below notes. The first staff contains measures 1-4, and the second staff contains measures 5-8. The music features a mix of eighth and sixteenth notes, with some triplets and slurs.

The second system of music continues the piece. It consists of two staves. The top staff is in treble clef and the bottom in bass clef. The time signature is 3/8. This system contains measures 9-16. The music continues with similar rhythmic patterns and fingerings as the first system.

The third system of music continues the piece. It consists of two staves. The top staff is in treble clef and the bottom in bass clef. The time signature is 3/8. This system contains measures 17-24. The music continues with similar rhythmic patterns and fingerings as the first system.

Instruction for the Double Concertina.

WATERS OF KILLE.

Andantino. *p*

This musical score is for the piece 'WATERS OF KILLE.' It is written for a grand staff (treble and bass clefs) in 6/8 time. The tempo is marked 'Andantino' and the dynamics are 'p' (piano). The score consists of four systems of two staves each. The music features a mix of eighth and sixteenth notes, often beamed together. There are numerous fingerings indicated by numbers 1-4 above or below notes. The piece concludes with a double bar line.

LE DESIR.

BEETHOVEN.

con Espressione. *fz*

This musical score is for the piece 'LE DESIR.' by Beethoven. It is written for a grand staff (treble and bass clefs) in 3/4 time. The tempo is 'con Espressione' and the dynamics are 'fz' (forzando). The score consists of two systems of two staves each. The music is characterized by a strong rhythmic pulse and expressive phrasing. It includes many slurs and accents. The piece ends with a double bar line.

LUCY NEAL.

Andante
Espressivo.

AIR, KNOWN AS "PESTAL."

Andantino
Espressivo.

Copyrighted by the Boston Music Company.

LILLI'S A LADY.

GERMAN AIR.

Allegretto.

AIR in "NINO."

PAISELLO.

Andantino.

GERMAN AIR.

Lively. *mf*

The first system of the German Air score consists of two staves. The upper staff is in treble clef with a key signature of one flat and a 2/4 time signature. It begins with a series of eighth notes: G4, A4, B4, C5, B4, A4, G4, F4, E4, D4, C4. The lower staff is in bass clef with the same key signature and time signature, starting with a series of eighth notes: C3, D3, E3, F3, G3, A3, B3, C4, B3, A3, G3, F3, E3, D3, C3. Fingerings are indicated by numbers 1-3 above notes and 1-3 below notes.

The second system continues the German Air. The upper staff features a melodic line with eighth notes and some slurs. The lower staff provides harmonic accompaniment with chords and moving lines. Fingerings and dynamics are clearly marked throughout.

The third system concludes the German Air. It features a final melodic phrase in the upper staff and a corresponding accompaniment in the lower staff, ending with a double bar line.

SWISS AIR.

Moderato
Pastorale. *p*

The first system of the Swiss Air score consists of two staves. The upper staff is in treble clef with a key signature of one flat and a 3/4 time signature. It begins with a series of eighth notes: G4, A4, B4, C5, B4, A4, G4, F4, E4, D4, C4. The lower staff is in bass clef with the same key signature and time signature, starting with a series of eighth notes: C3, D3, E3, F3, G3, A3, B3, C4, B3, A3, G3, F3, E3, D3, C3. Fingerings are indicated by numbers 1-3 above notes and 1-3 below notes.

The second system continues the Swiss Air. The upper staff features a melodic line with eighth notes and some slurs. The lower staff provides harmonic accompaniment with chords and moving lines. Fingerings and dynamics are clearly marked throughout.

The third system concludes the Swiss Air. It features a final melodic phrase in the upper staff and a corresponding accompaniment in the lower staff, ending with a double bar line.

AIR DE BALLET.

HIMMEL.

Allegretto. *p dolce.*

The first system of music for 'AIR DE BALLET' consists of two staves. The upper staff is in treble clef and the lower in bass clef. The key signature has one flat (B-flat) and the time signature is common time (C). The music features a melody with various ornaments and fingerings (1, 2, 3, 4) and a piano accompaniment with chords and triplets. The tempo is marked 'Allegretto' and the dynamics 'p dolce'.

The second system continues the piece. It includes a 'cres:' (crescendo) marking. The notation shows more complex rhythmic patterns and fingerings in both staves.

The third system concludes the 'AIR DE BALLET' section. It features a 'f' (forte) dynamic marking. The piece ends with a double bar line.

TIC E TOC.

ITALIAN AIR.

Allegretto
Grazioso. *p dolce.*

The first system of 'TIC E TOC' is in 3/8 time. It features a lively melody with many ornaments and fingerings. The piano accompaniment consists of chords and eighth-note patterns. The tempo is 'Allegretto' and the mood is 'Grazioso'.

The second system continues the 'TIC E TOC' piece with similar rhythmic and melodic patterns.

The third system concludes 'TIC E TOC' with a 'mp' (mezzo-piano) dynamic marking and ends with 'D.C.' (Da Capo). Fingerings are indicated throughout the piece.

SUL MARGINE.

Andante.

Musical score for 'SUL MARGINE.' in 2/4 time, marked *Andante.* and *p*. The score consists of three systems of piano accompaniment. Each system has a treble and bass staff. The music features a steady eighth-note accompaniment in the bass and a more melodic line in the treble. Numerous fingerings are indicated throughout the piece.

ANGIOL DI PACE.
FROM BEATRICE DI TENDA.

BELLINI.

Andante.

Musical score for 'ANGIOL DI PACE.' in 3/4 time, marked *Andante.* and *p*. The score consists of three systems of piano accompaniment. Each system has a treble and bass staff. The music features a steady eighth-note accompaniment in the bass and a more melodic line in the treble. Numerous fingerings are indicated throughout the piece. The final system includes a first ending marked '1st time.' and a second ending marked '2nd time.'

Allegretto.

FRENCH AIR.

1323

HERZ.

Andantino.

DIE FAHNENWICHT.

LINDPAINTER.

Muostoso.

The musical score for 'DIE FAHNENWICHT.' is presented in four systems. Each system consists of a piano (left) and treble (right) staff. The tempo is marked 'Muostoso'. The first system begins with a dynamic marking of *f*. The second system includes a *cres.* (crescendo) marking. The third system starts with a piano (*p*) dynamic and concludes with a forte (*f*) dynamic. The fourth system features another *cres.* marking and a *tr* (trill) marking.

WELSH AIR.

Moderato.

The musical score for 'WELSH AIR.' consists of two systems. The first system is marked with a tempo of 'Moderato' and a dynamic of *p*. The second system begins with a dynamic of *mf*. Both systems include extensive fingering numbers (1-4) and slurs across the notes.

Andante.

p

fz

ENGLISH AIR.

Allegro.

p

mf *cres:*

f

M. I. NORMANDIE.

Andante

dolce.

Musical score for 'M. I. NORMANDIE' in G major, 3/4 time. The score consists of three systems of piano accompaniment. The first system includes the tempo marking 'Andante' and the dynamic marking 'dolce.'. The music features a melody in the right hand with various ornaments and fingerings, and a bass line in the left hand with chords and single notes. The second system continues the melody and bass line. The third system concludes the piece with a final cadence and a repeat sign.

DANCE in PRECIOSA.

C. M. WEBER.

Allegretto.

Musical score for 'DANCE in PRECIOSA' in G major, 2/4 time. The score consists of four systems of piano accompaniment. The first system includes the tempo marking 'Allegretto.'. The music features a melody in the right hand with many ornaments and fingerings, and a bass line in the left hand with chords and single notes. The second system continues the melody and bass line. The third system continues the melody and bass line. The fourth system concludes the piece with a final cadence and a repeat sign. The dynamic marking 'mf' is present in the second system.

MY LODGING IS ON THE COLD GROUND.

Andante con Espressivo.

DUETT — "OH BELLE A QUESTA MISERE."

FROM I LOMبارDI.

VERDI.

Andantino.

"AURORA CHE SORGERAI."

DIR IN LA DONNA DEL LAGO.

ROSSINI.

Andantino.

The musical score is presented in two systems, each with a piano part (treble and bass clefs) and a double concertina part (treble and bass clefs). The tempo is marked 'Andantino' and the dynamics include 'p' (piano) and 'tr' (trills). The score is heavily annotated with fingering numbers (1-4) and slurs. The piano part features a complex, flowing line with many triplets and sixteenth-note patterns. The double concertina part is more melodic, with frequent trills and slurs. The key signature has one sharp (F#) and the time signature is 6/8.

Instructions for the Double Concertina.

CHORDS IN THE CADENCES OF FOUR FINGERINGS .

1st 2₍

2nd 2₍ 1₍

3rd 4₍ 3₍ 2₍ 1₍

4th 3₍ 2₍ 1₍ 4₍

EXAMPLE ON THE ACCOMPANIMENT OF THE SCALE .

HARMONICAL EXERCISES FOR THE LEFT HAND .

Moderato

28 JY 55